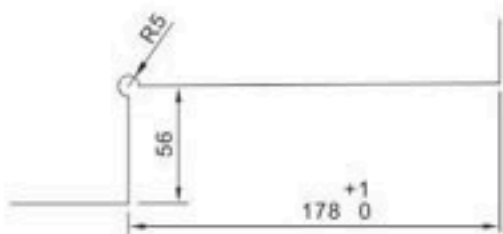
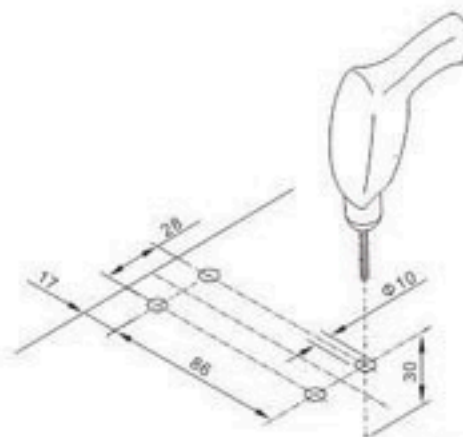


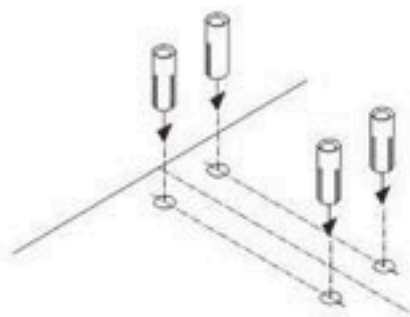
# GLASS CUTOUT



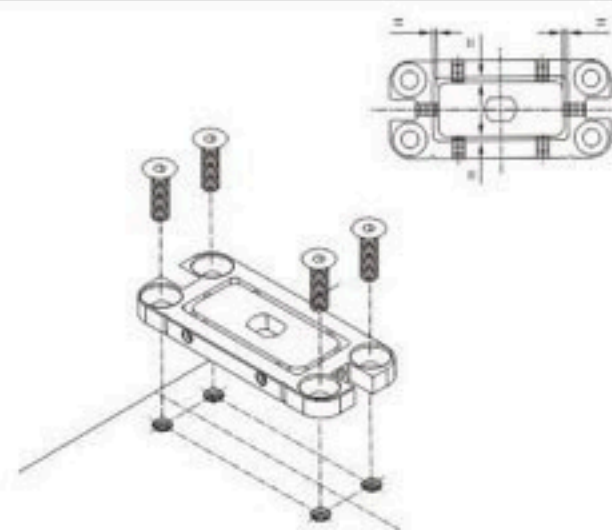
1



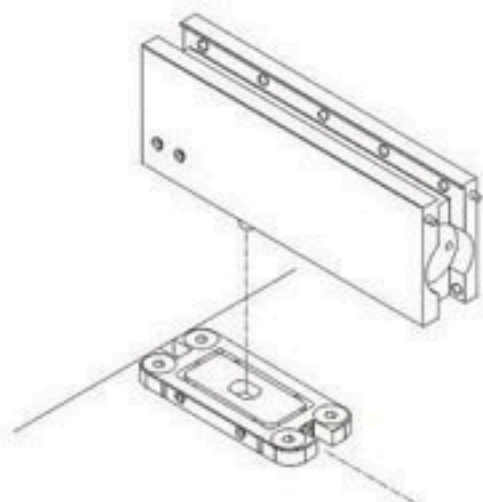
2



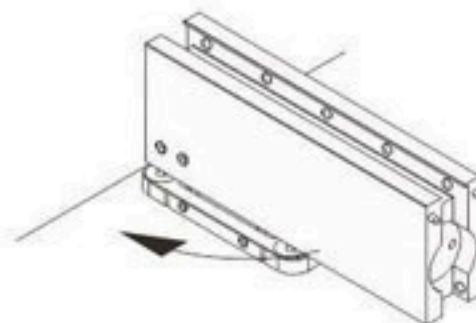
3



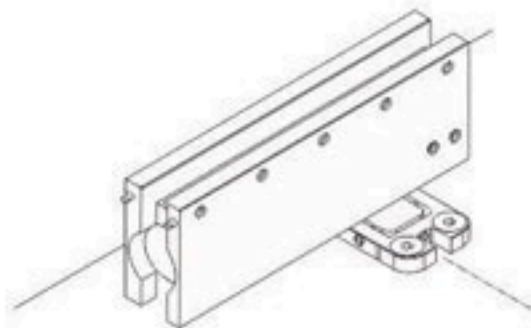
4



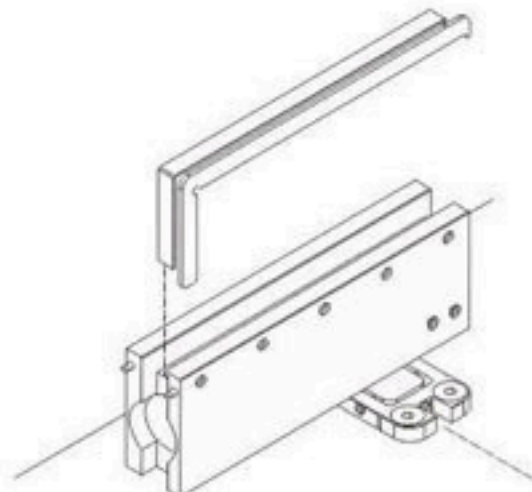
5



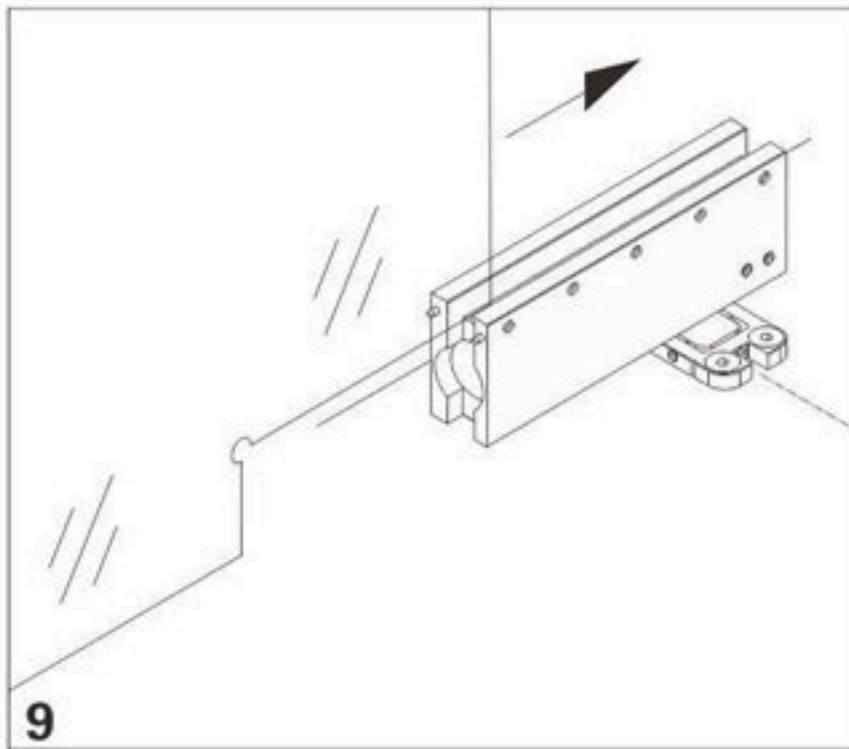
6



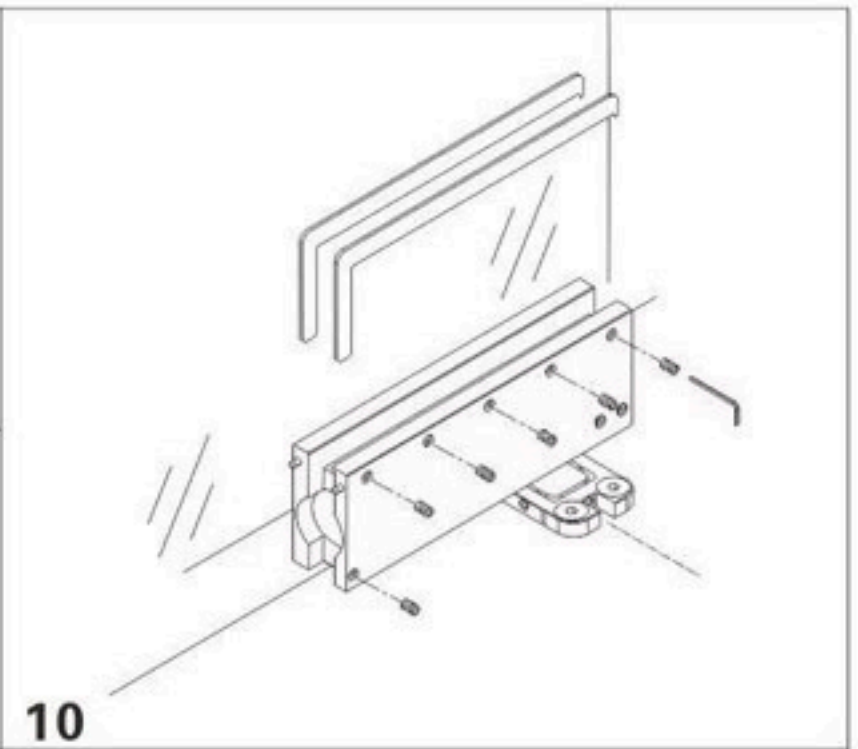
7



8

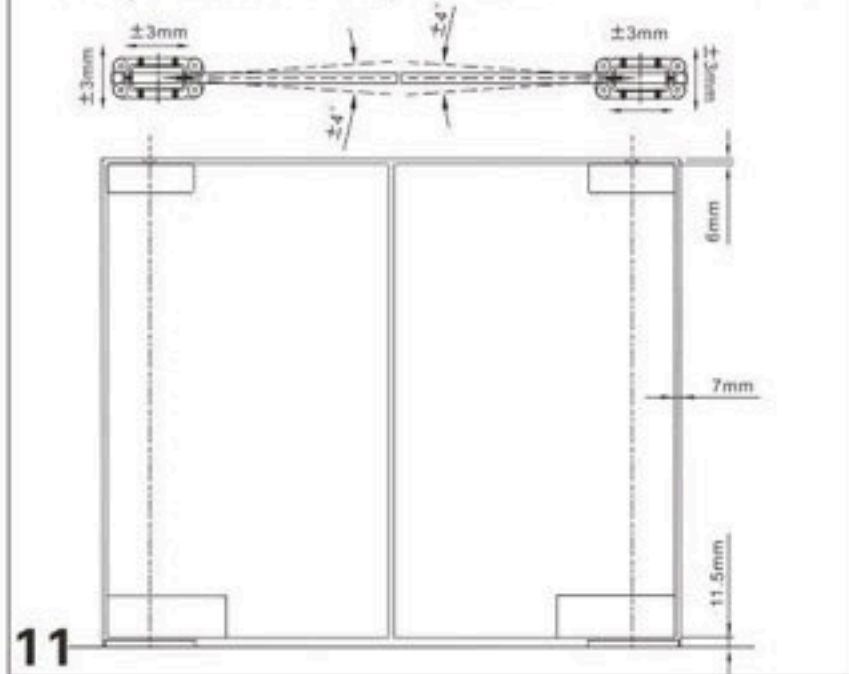


9

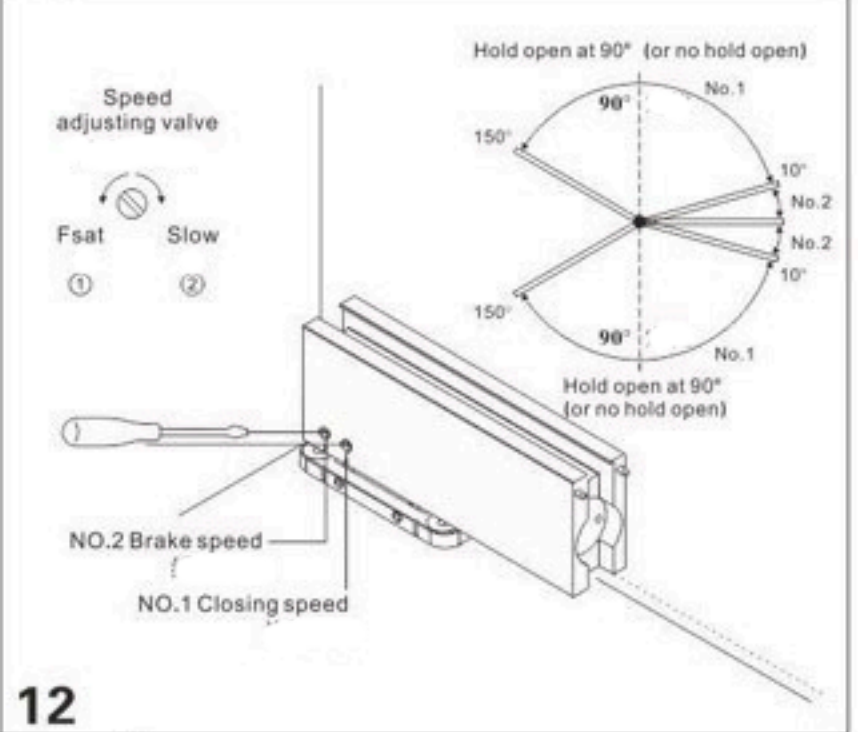


10

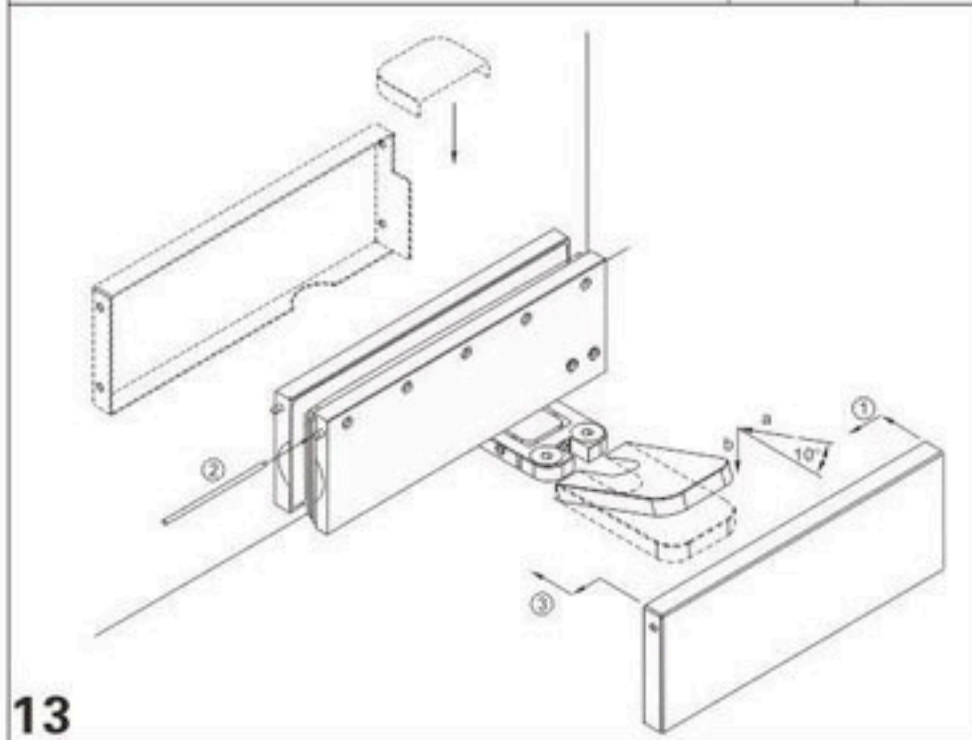
Adjust the Door position



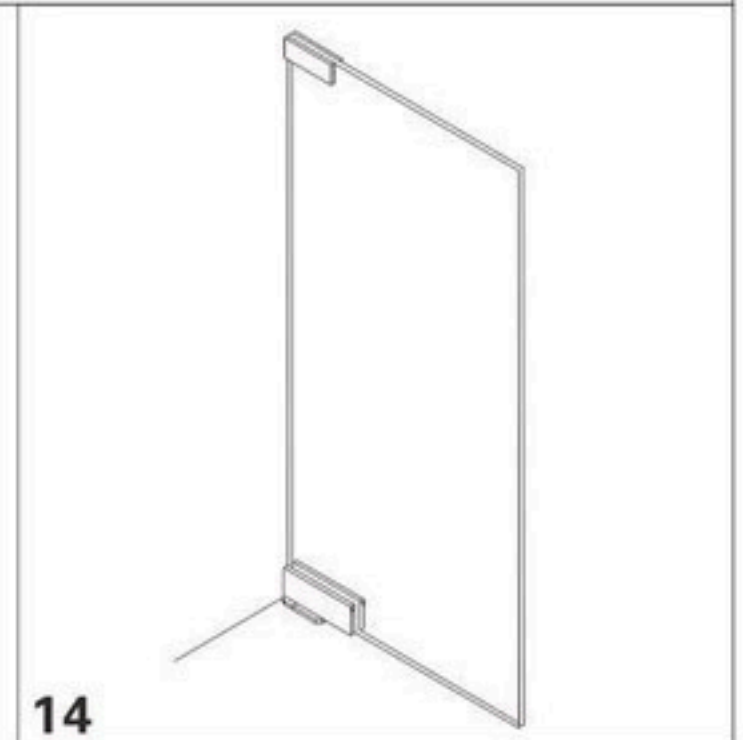
11



12



13



14