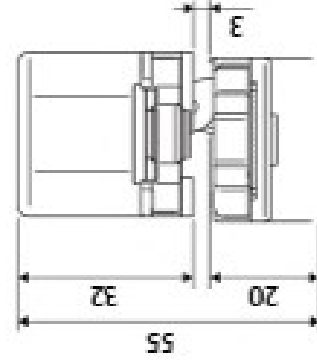
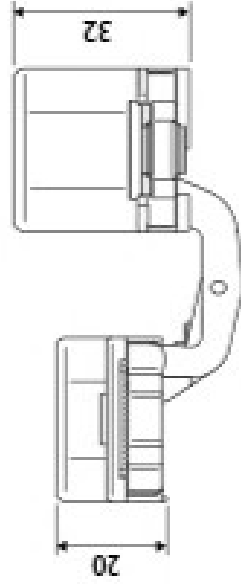
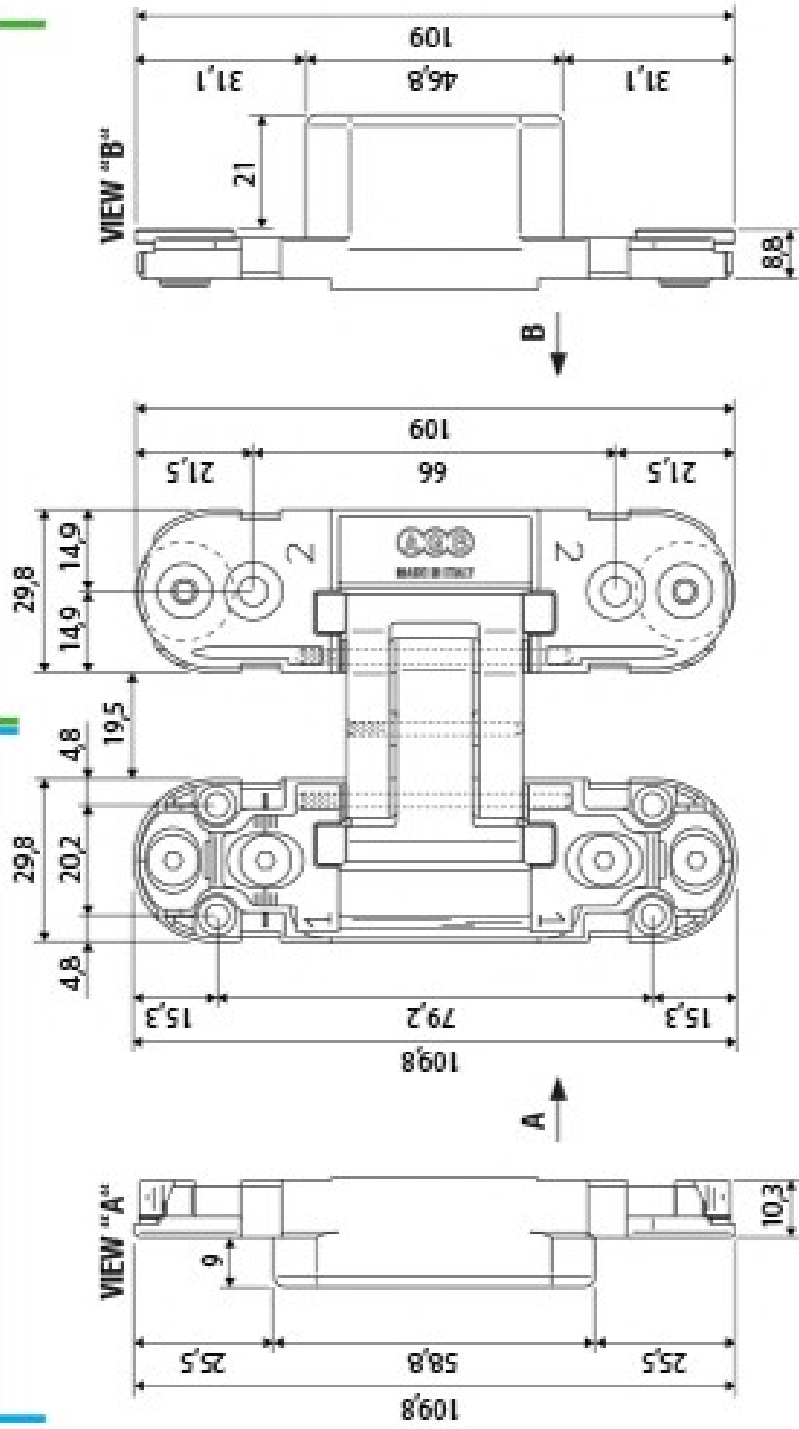


FRAME PART

SASH PART



Hinge in  
closing  
position