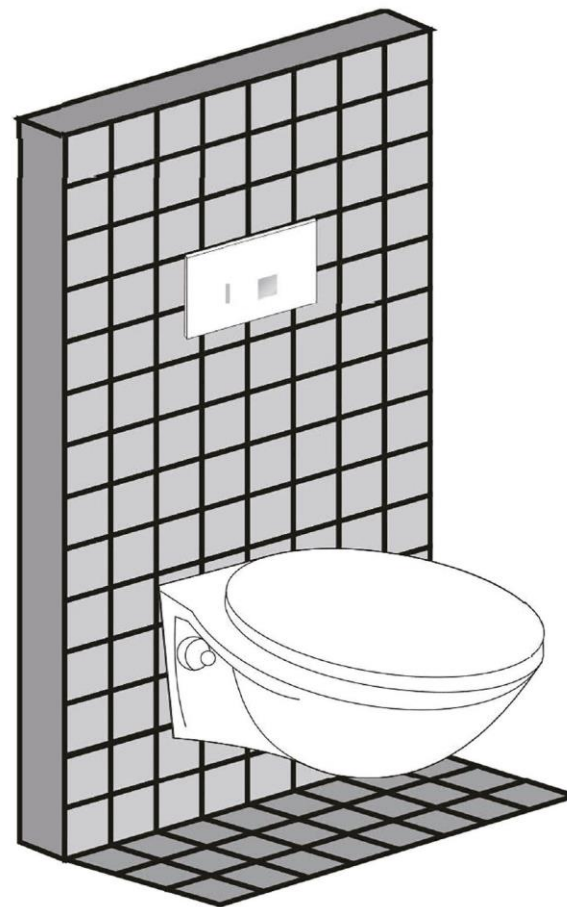
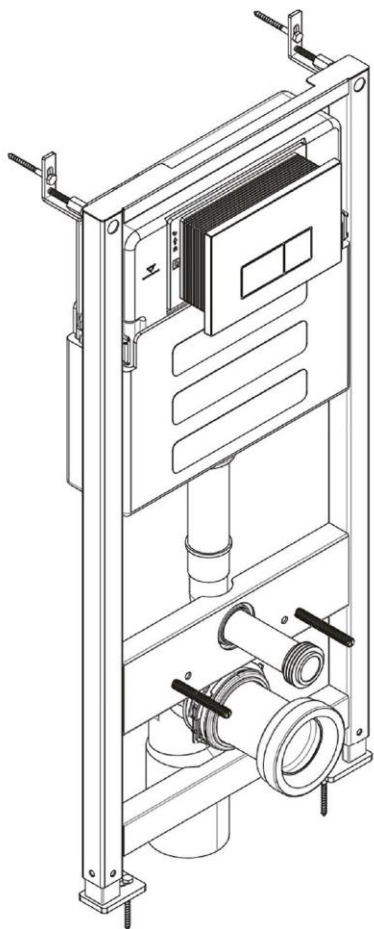
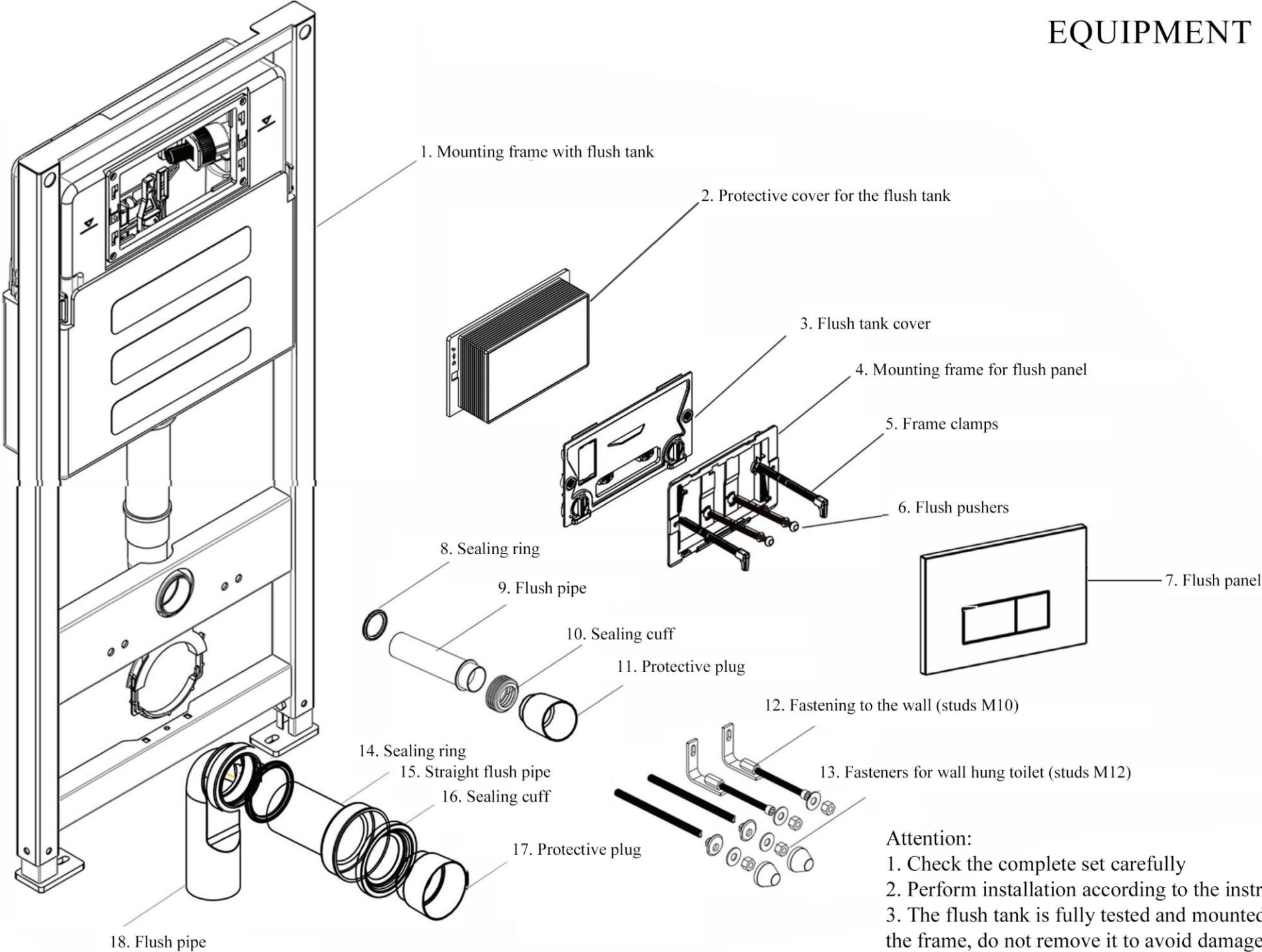


Installation and operation manual

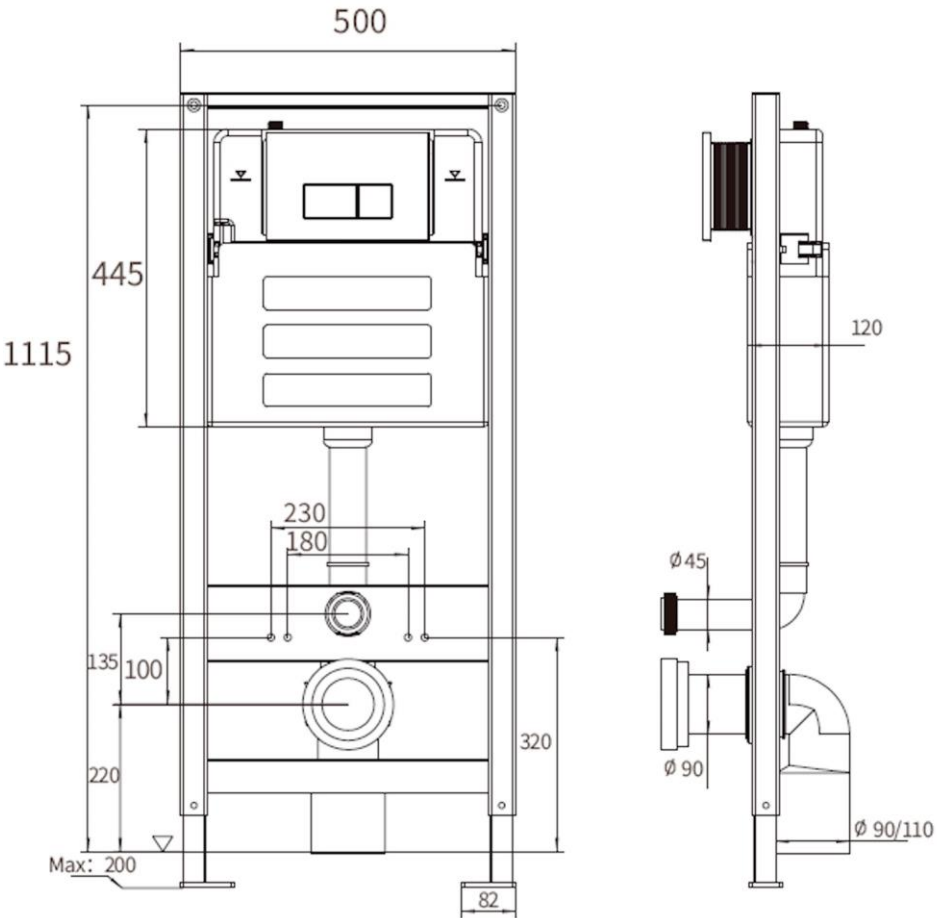


EQUIPMENT

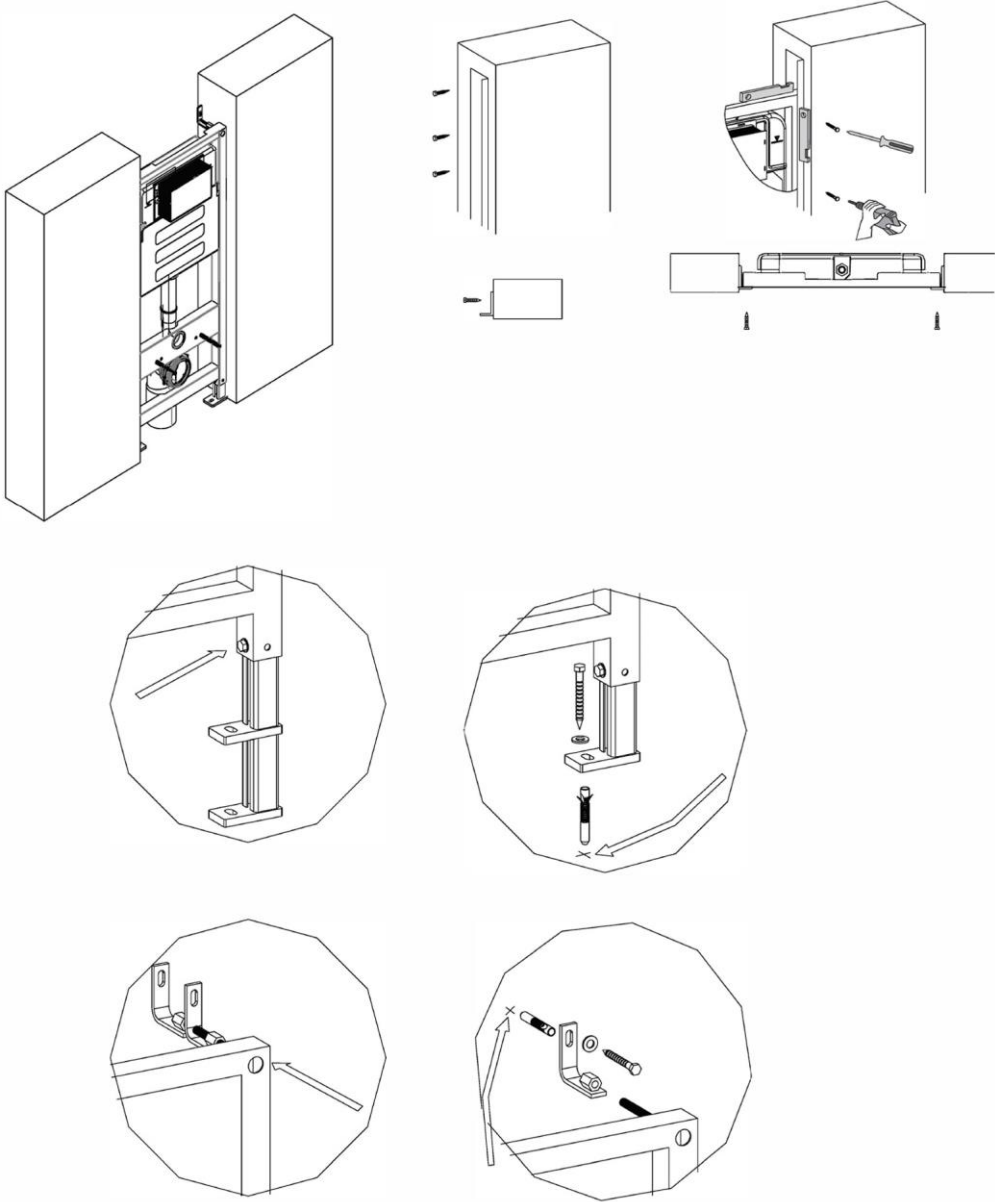


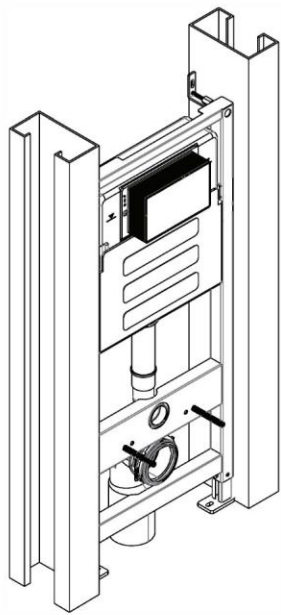
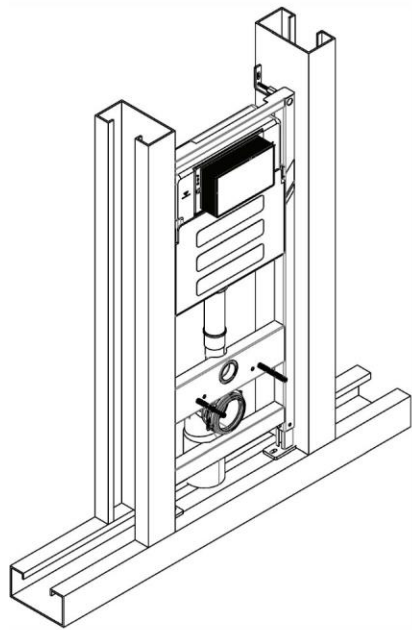
Attention:
1. Check the complete set carefully
2. Perform installation according to the instructions.
3. The flush tank is fully tested and mounted on the frame, do not remove it to avoid damage

1. Technical drawing:

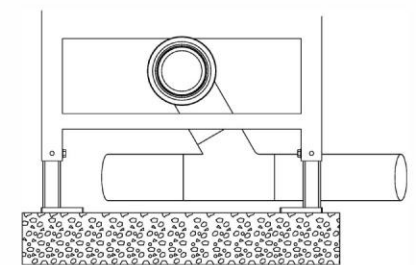
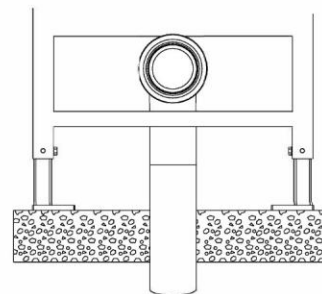
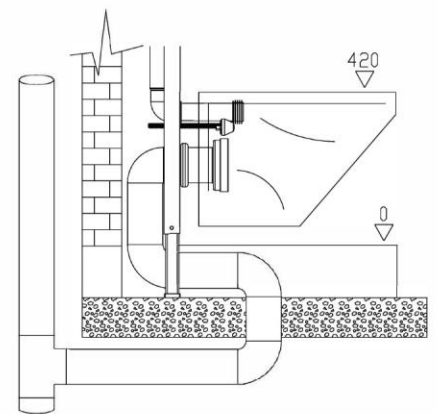
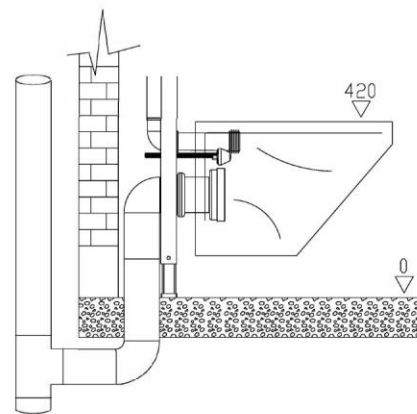
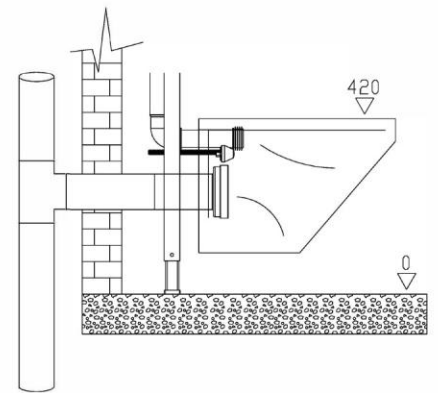
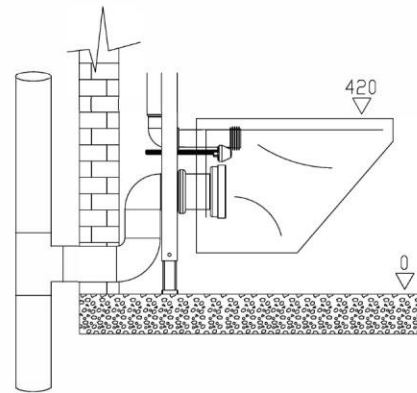


2. Start of installation

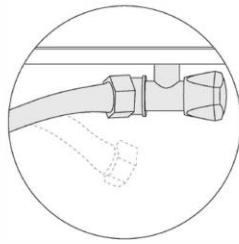
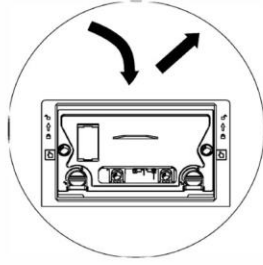
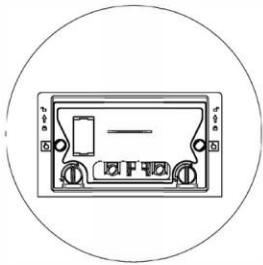
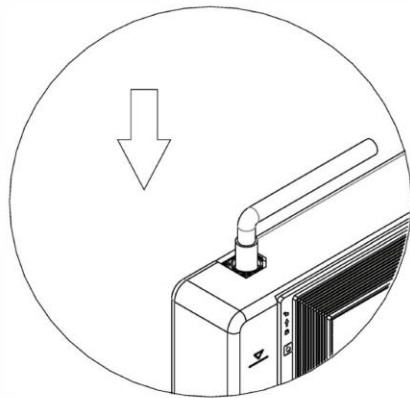
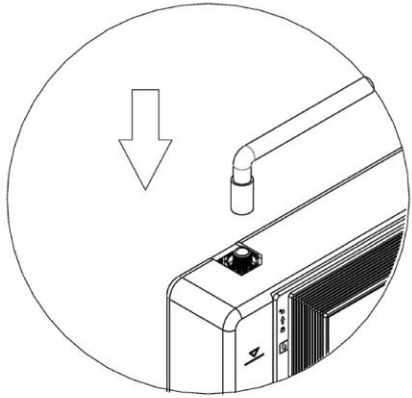




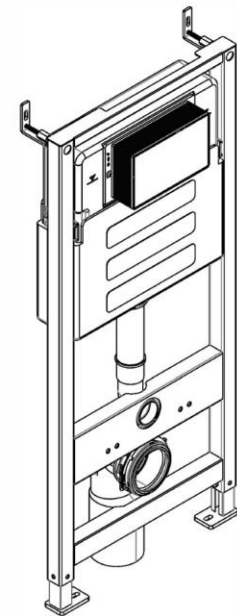
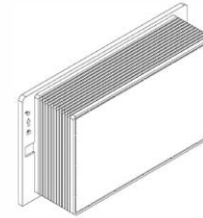
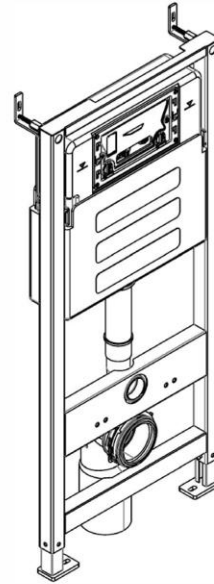
3. Installation of a flush pipe



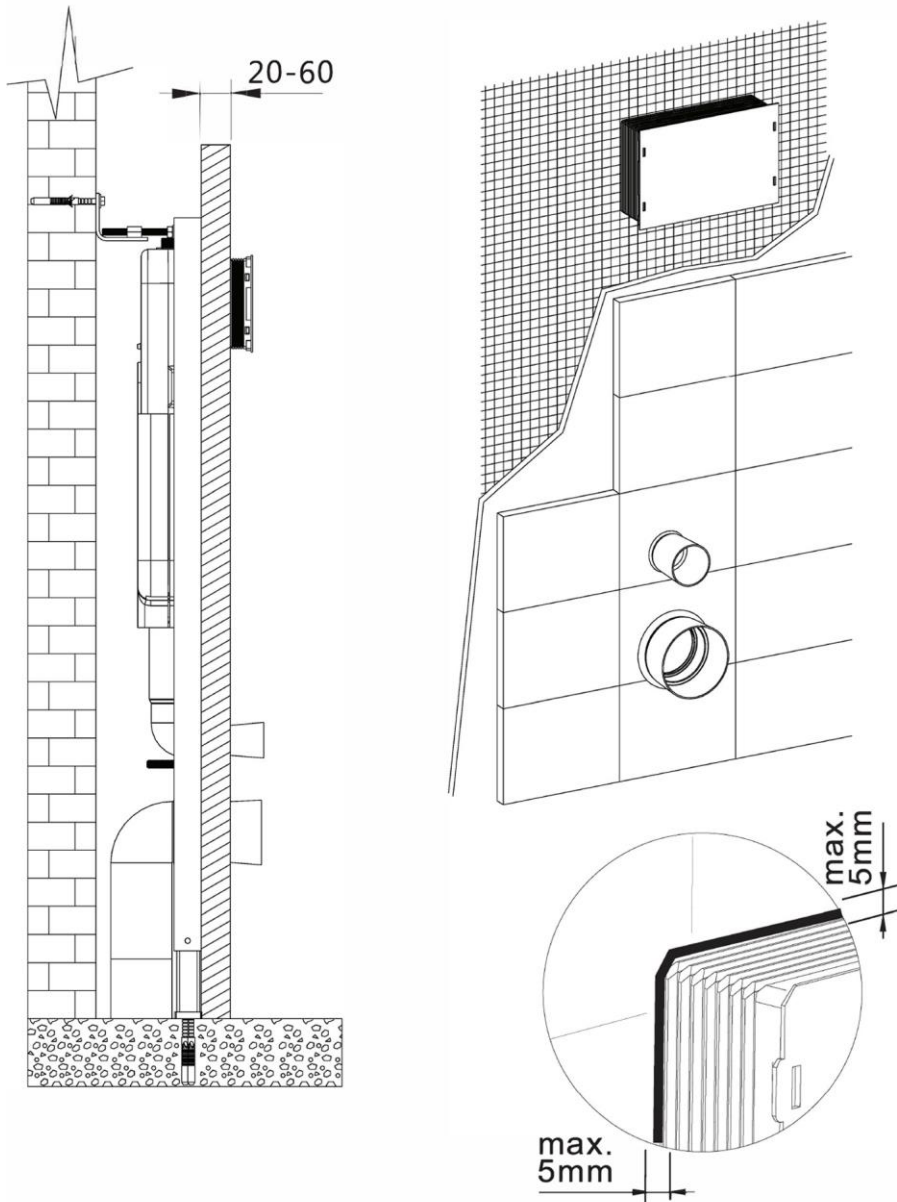
4. Connect the filler pipe



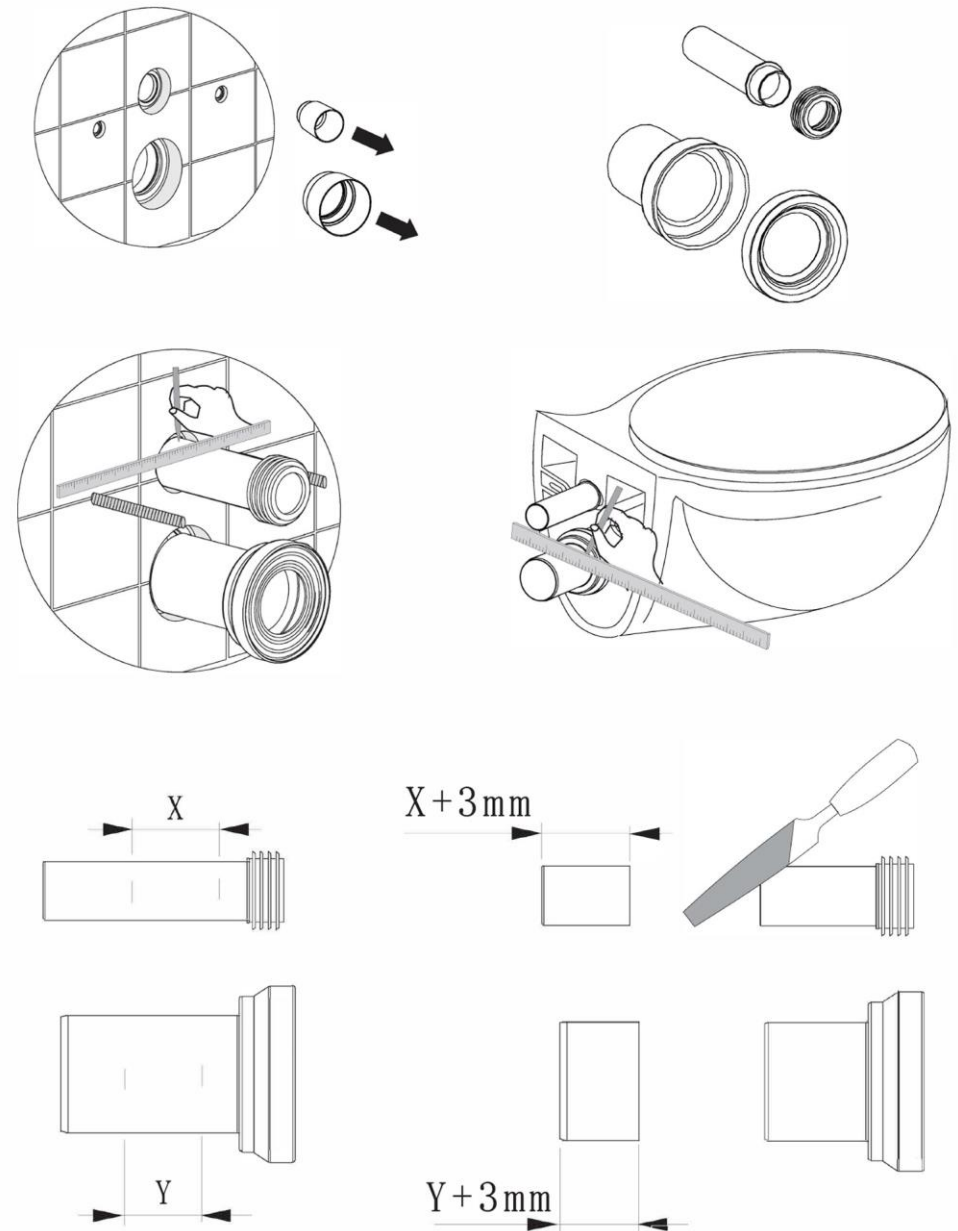
5. Preparation before mounting to the wall



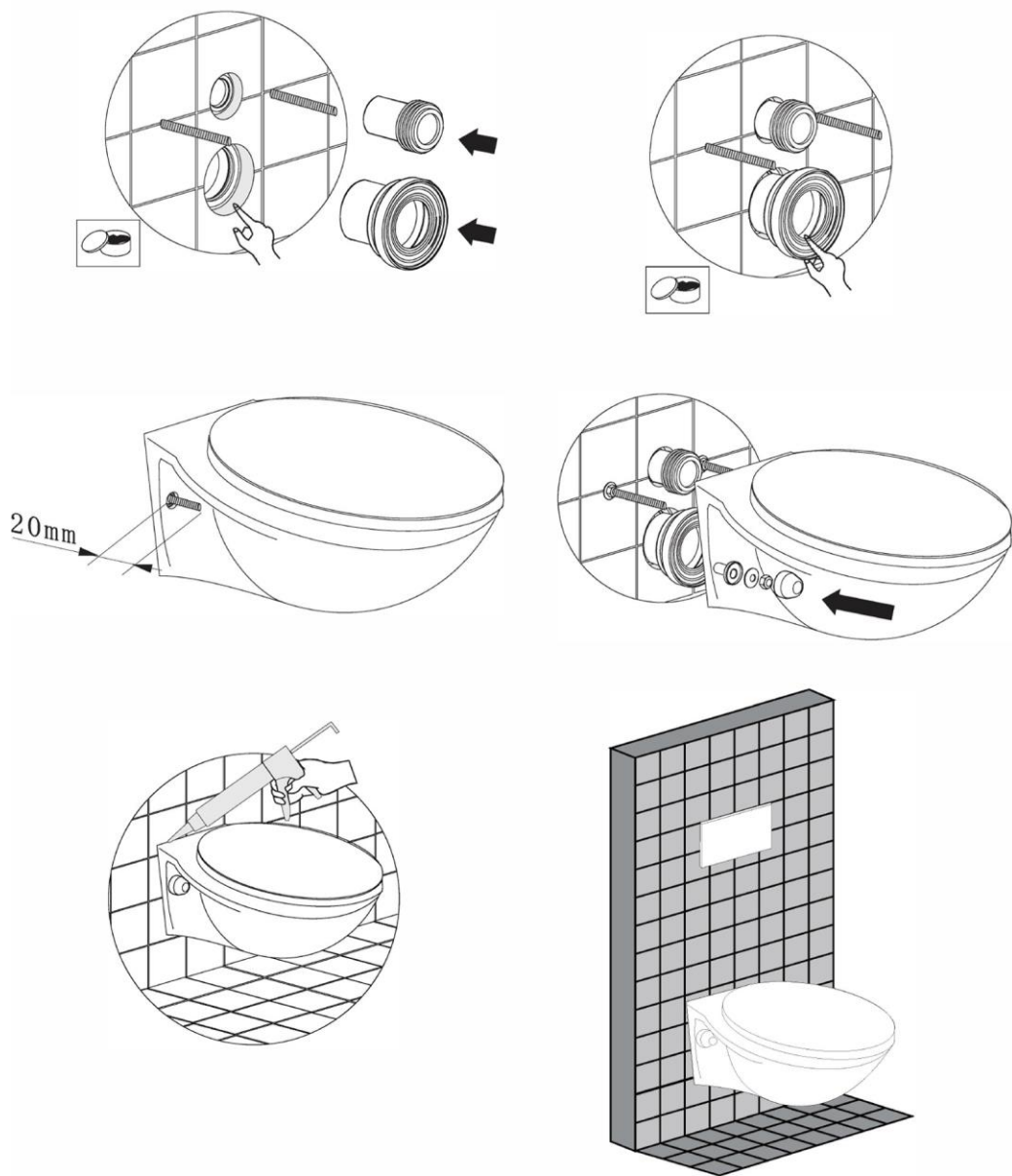
6. Mount the installation to the wall



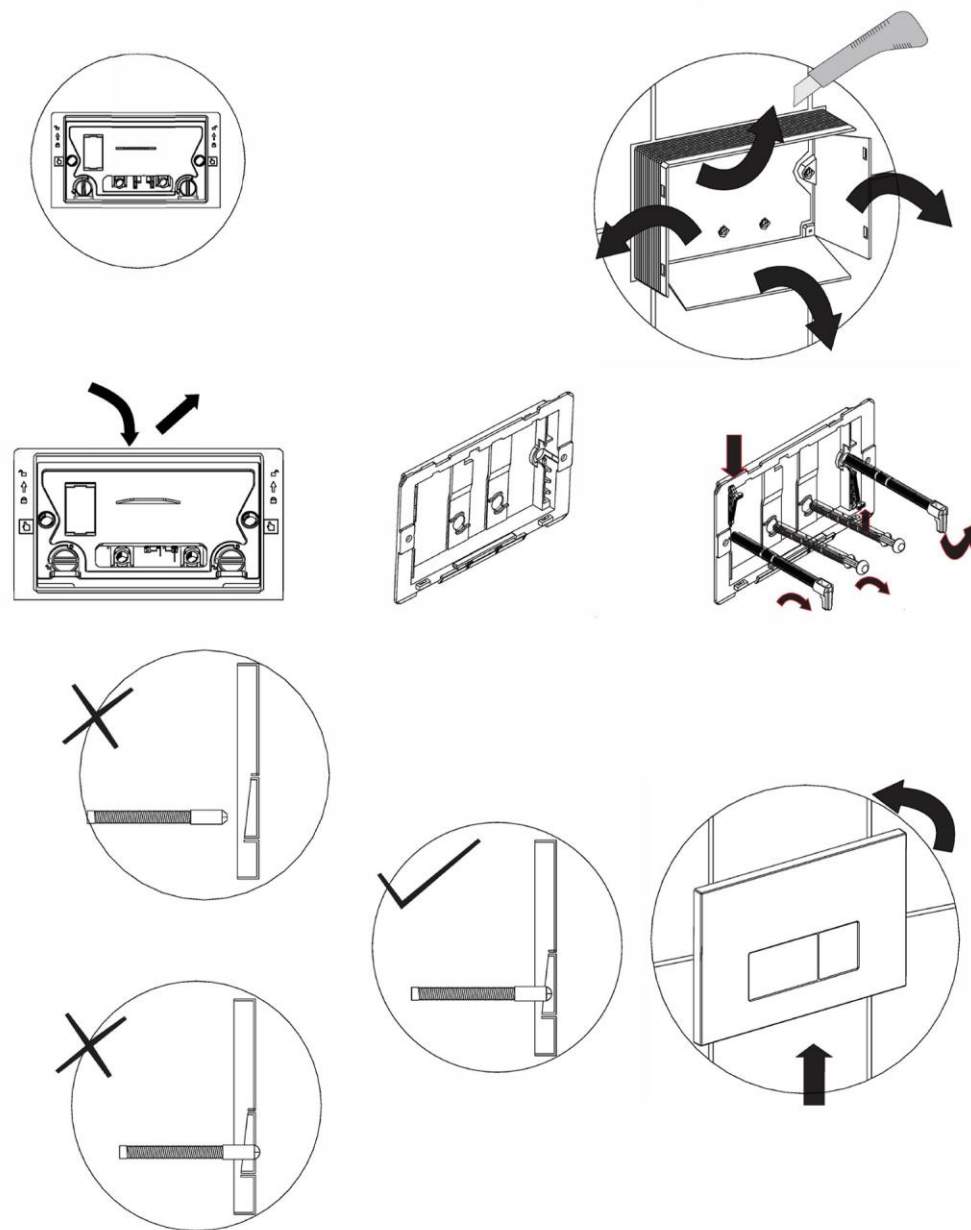
7. Adjust the length of the flush pipes



8. Install a wall hung toilet on the installation

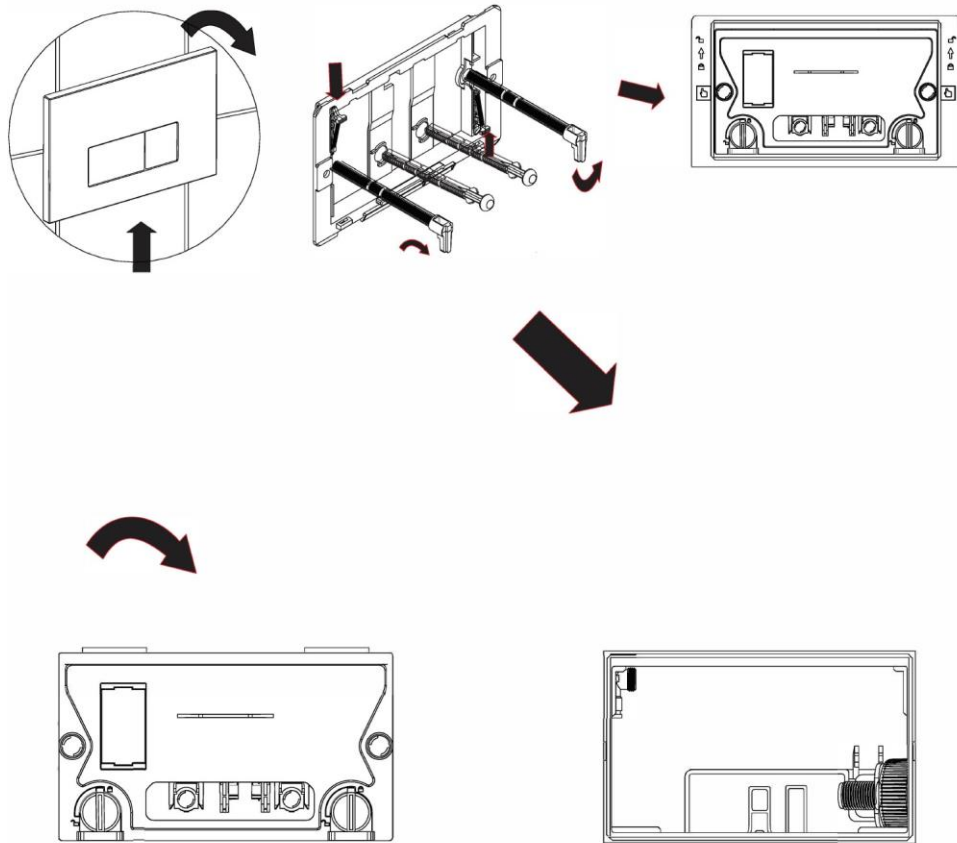


9. Install the flush panel

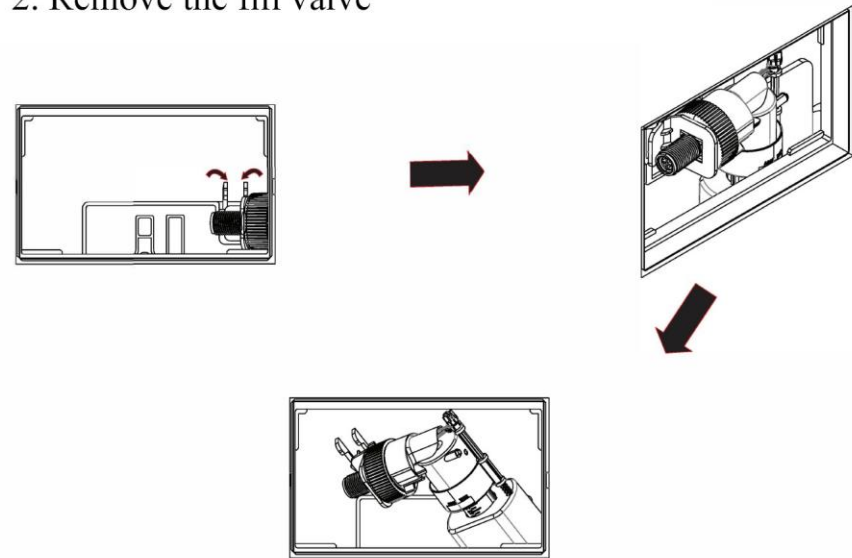


Maintenance of the flush tank

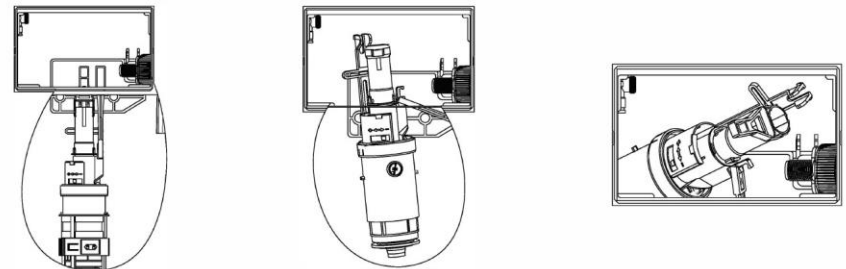
1. Remove the flush panel



2. Remove the fill valve

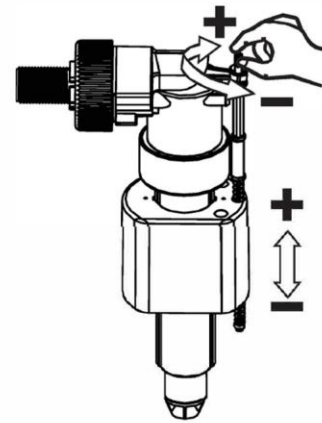


3. Remove the drain valve

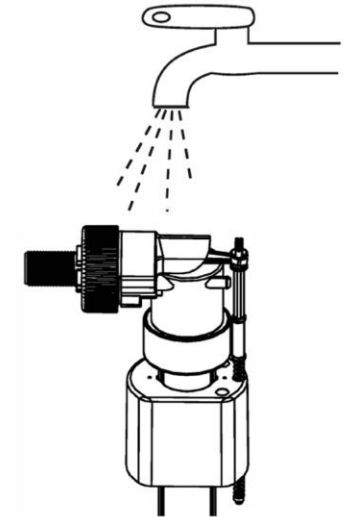


Fill valve maintenance

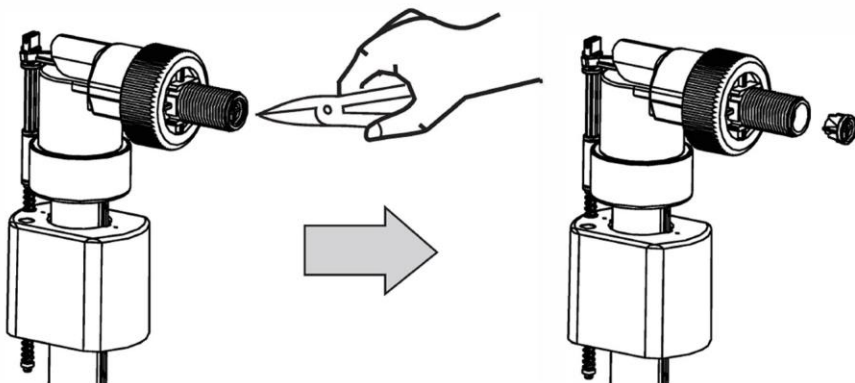
Malfunctions	Solutions
1. The water level is low or high	Adjust the water level
2. The water is constantly flowing	Check the sealing gasket
3. The water is slowly rising	Rinse the filter, increase the water pressure
4. Other faults	Contact a specialist



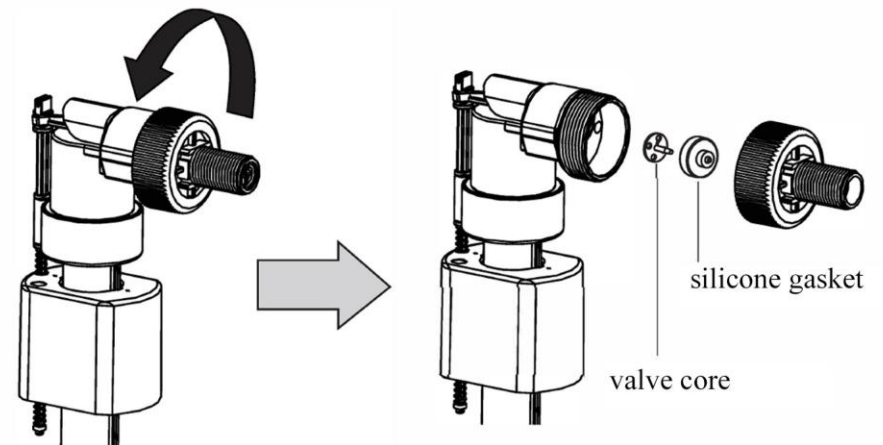
1. Turn the handle and adjust the water level



2. Flush the fill valve



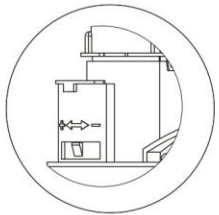
3. Remove the filter from the fill valve and clean it



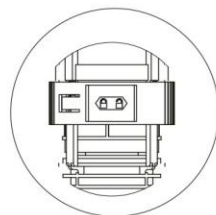
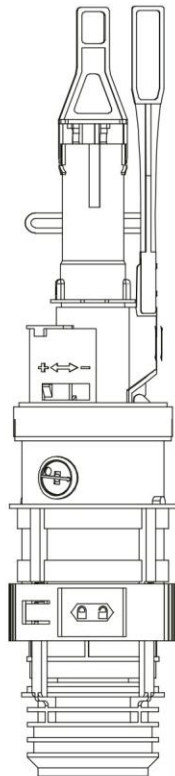
4. Unscrew the filler valve, clean the valve core and silicone gasket

Maintenance of the drain valve

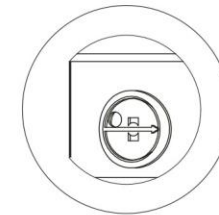
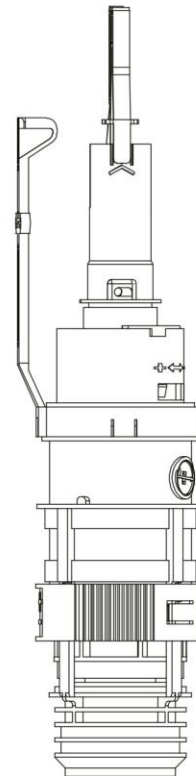
	Cause	Solution
1. Water does not drain	The drain valve is faulty	Replace the drain valve
	Low water level	Adjust the water level
	The drain valve is leaking water	Replace the sealing gasket on the drain valve
2. Water leak	The drain valve is blocked	Clean the drain valve from dirt



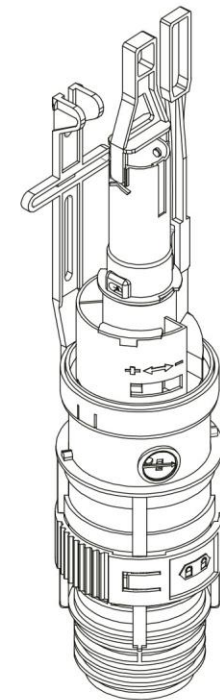
Adjust the flush volume



Lock your selection



Total flush volume control 6/7.5 l



2. The flush adjustment range is 1 liter, with a step of 0,2 l

